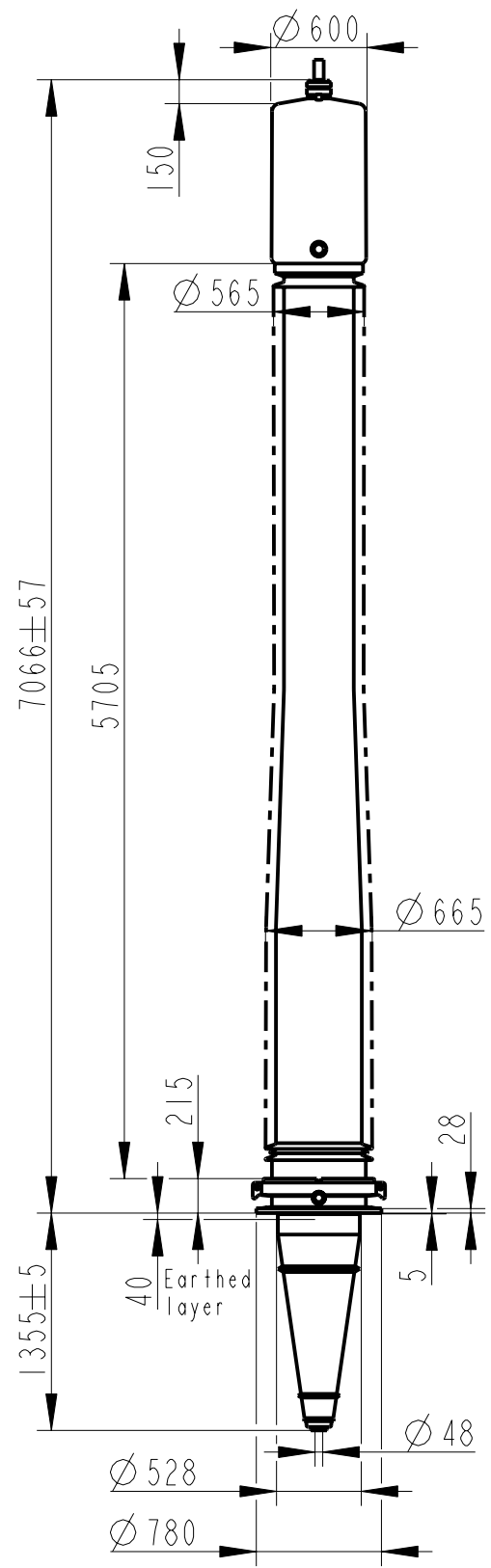


Rev	Ind	Revision	Appd	Date



Bushing Data:

Rated Voltage	800	kV
Phase to-earth Voltage	485	kV
Dry Lightning Impulse 1,2/50µs	2550	kV
Wet Switching Impulse	1550	kV
Wet Power frequency AC	950	kV
Routine test Imin dry 50Hz	1000	kV
Rated Current	2500	A
Creepage Distance	18320	mm
Mass	2650	kg

Ordering Data:

BUSHING COLOUR AIR INSULATOR
 LF121082 -C / -AC BROWN / LIGHT GREY

OUTER TERMINAL

	H2	D2
	(mm)	(mm)
LF170 073-A Al	125	60
LF170 073-B Cu	125	60
LF170 073-G Cu/Ag	125	60

OTHER TYPES ON REQUEST

END-SHIELD
 LF170 046-X EPOXY INSULATED
 LF170 046-XP INSULATED WITH 5 mm PRESSBOARD

DRAW ROD SYSTEM
 LF170 059 LOWER DRAW ROD WITH NI=4 OR NI=6
 LF170 057 UPPER DRAW ROD

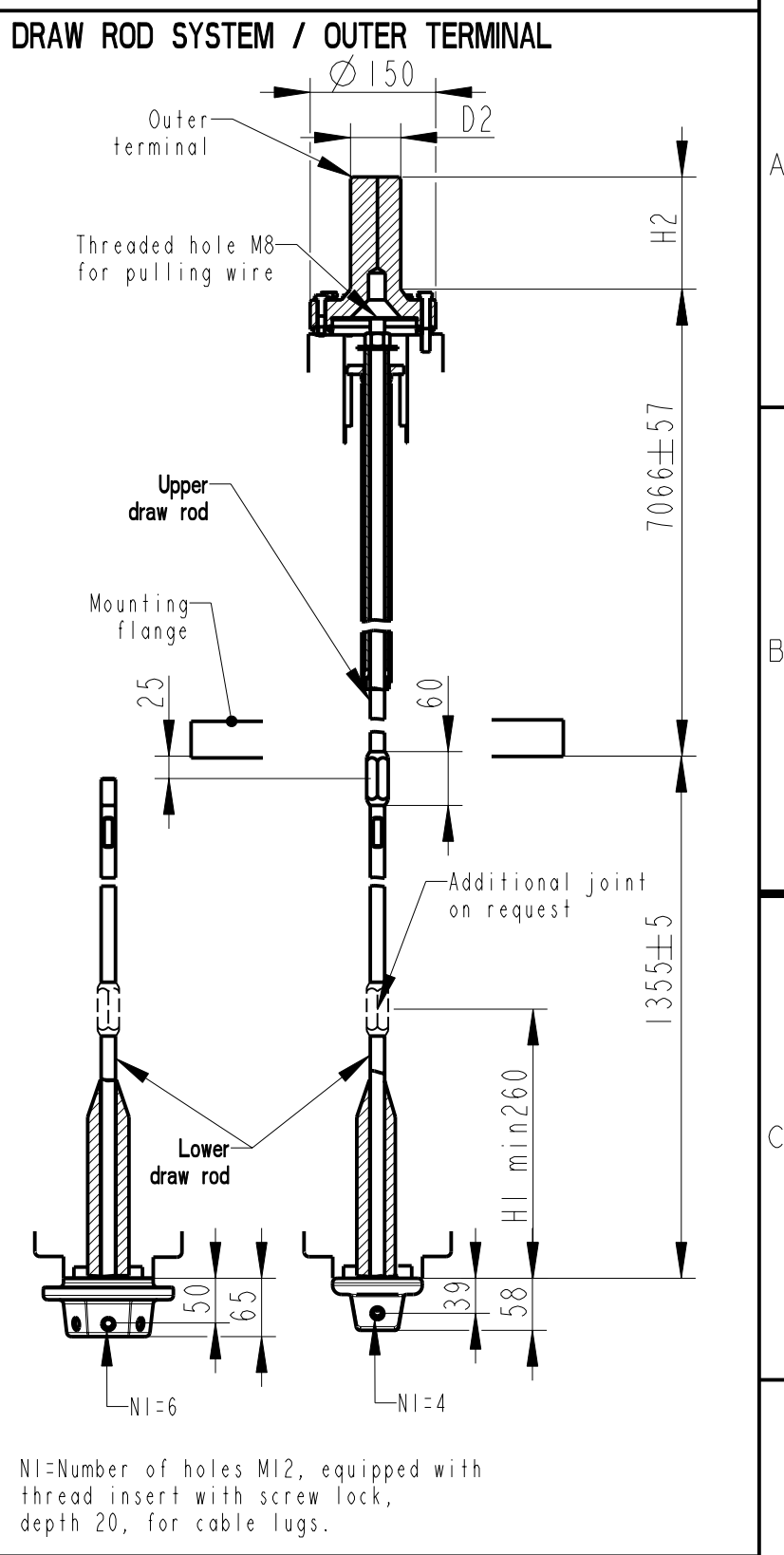
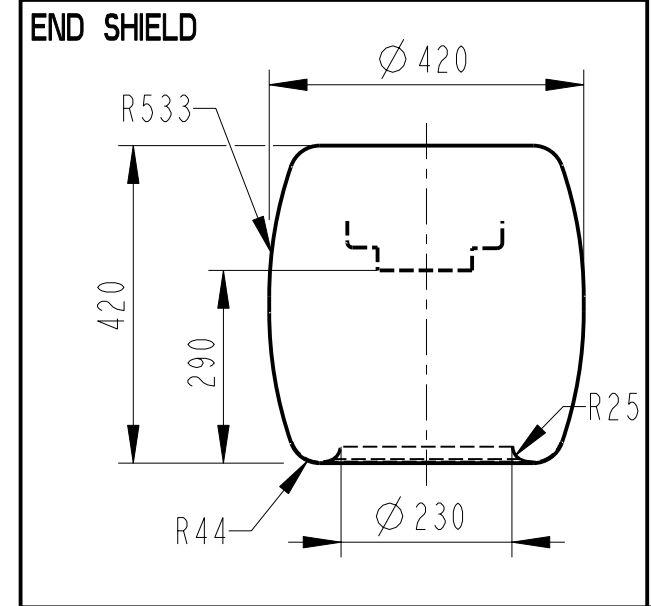
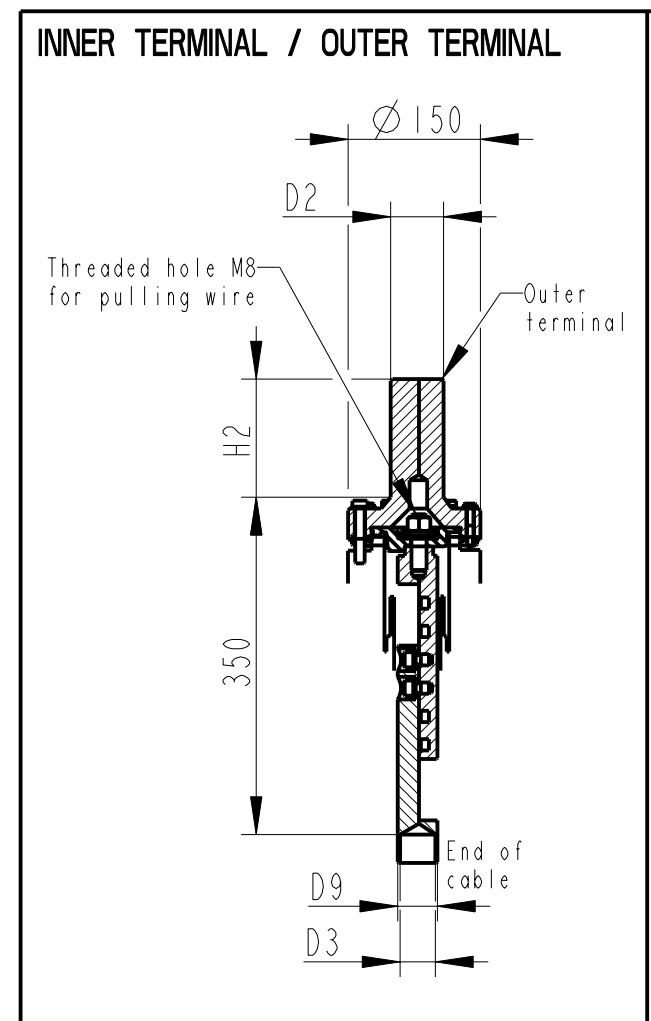
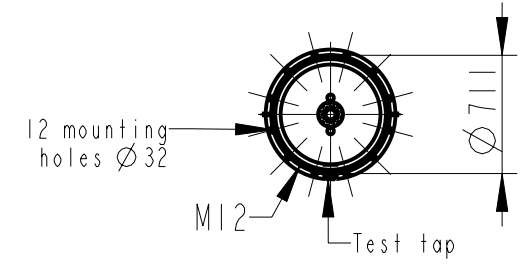
INNER TERMINAL

D3	D9	Cond. area	Current (A)
(mm)	(mm)	(mm ²)	IEC
LF170 056-E 0 *)	45	-	-
LF170 056-D	40	600	1600

*) WITH PILOT HOLE D=5

ABB Components Luleå, Sweden

U _{rated}	N _h				
U	kV	SI	A	50-60 Hz	
M	kg	L	mm	D	
C1	pF	Tanδ			
C2	pF	Tanδ			



NI=Number of holes M12, equipped with thread insert with screw lock, depth 20, for cable lugs.

Based on	Reg. No.	Title	ABB Components
Prepared Lövnord	Responsible department COM/BK 0022	GOE-2550-1550-2500-0	
Approved Johansson	Take over department		
Design engineering review Gutman	Database	Language 82	
Document No.		Page 1(1)	
		Document No.	2751369-45

We reserve all rights in this document and in the information contained therein. Reproduction, use or disclosure to third parties without express authority is strictly forbidden. © ABB